

## - Bagging Machines-

YBH-010A

Capacity:430 pcs /hr

YBH-020H

Capacity:630 pcs /hr

Twelve years since to sell model YBH-001A and YBH-002H which are one of the best sold model!

### Static electricity removal and antistatic

Electricity in winter time, protecting against packaging tallune by stacking



### Film width can be changed ※YBH-020H only

Tick items such as cost with hood and down jacket is available to handled by expanding film clump width



### Easy operation

Even beglmer is available to operate in



### Safety and reliable design

To improve the safety and equipped with prevention sensor and biting. To prevent accidents and product damage



### Film width can be changed ※YBH-020H only

YBH-020H is available to use such film widht as 600mm to 650mm. It is possible to package without difficulies enen mens coat and down jacket



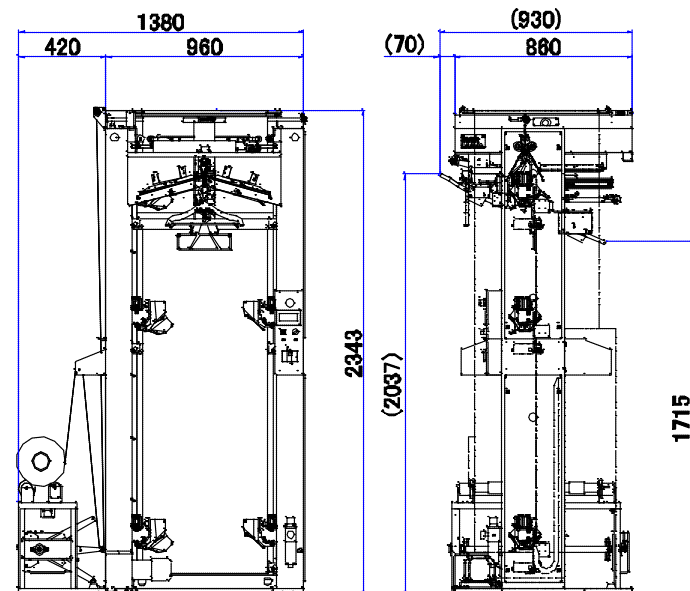
### When trouble

It is easy to apply for trouble by touch panel.

It shows the contents of trouble and preserve by date and time. It is available to show on and off and start



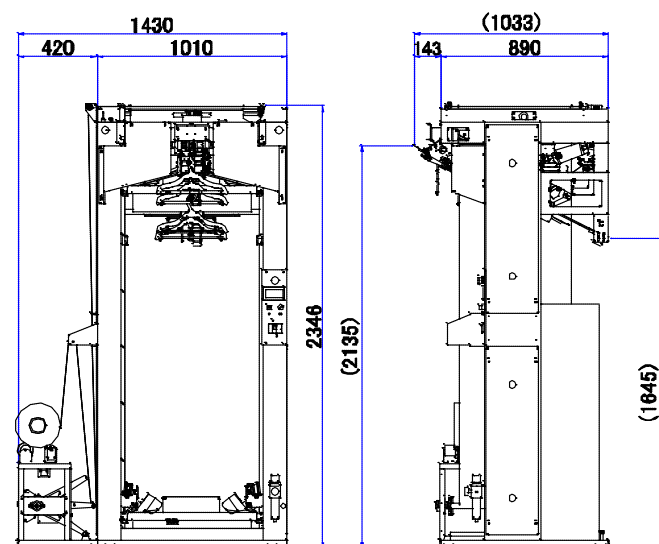
## ● Dimension YBH-010A



## ● Specification YBH-010A

Capacity	430pieces/h(PE Film length 980mm)
Power source	AC200V 1.0KVA
Air	0.6Mpa(Air consumption 75L/min)
Film	Tube film Material : PP,PE,HDPE Thickness : Depend on material Width : 600mm(+5mm) Total length : 1000mm(Diameter under 350mm) Paper tube diameter : $\phi$ 76.2mm
Total weight	350Kg

## ● Dimension YBH-020H



## ● Specification YBH-020H

Capacity	630pieces/h(PE Film length 980mm)
Power source	AC200V 1.0KVA
Air	0.6Mpa(Air consumption 90L/min)
Film	Tube film Material : PP,PE,HDPE Thickness : Depend on material Width : 600~650mm(+5mm) Total length : 1000mm(Diameter under 350mm) Paper tube diameter : $\phi$ 76.2mm
Total weight	370Kg

## ● Caution for handling

1. Be careful to handle wright items, such as silk made blouse or dress. Such items may drop down or be enforded
2. Packaging material should be material for automatic packing machine
3. Material with uneven tickness, shift winding and blocking cannot be used.
4. In case of use of PP material, glade should be changed in summer and in winter. Do not use such packing material as stocked long term. Packaging material should be stocked over 13 degree C.
5. Some hanger may not fit therefore consult to befora using



Before operate machine you should carefully read instruction manual

**Inquiry**

**Y.A.C. CO.,LTD**

3-10-6 MUSASHINO,AKISHIMA-SHI  
TOKYO 196-0021,JAPAN  
TEL +81-42-546-1164 FAX+81-42-546-8776

Web site  
<http://www.yac.co.jp/>



**Agency**